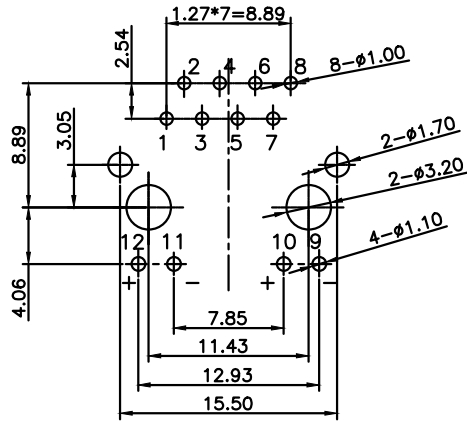
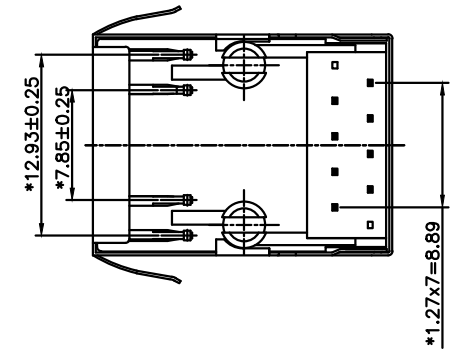
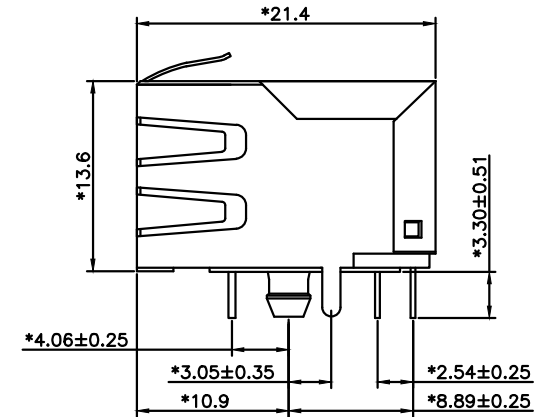
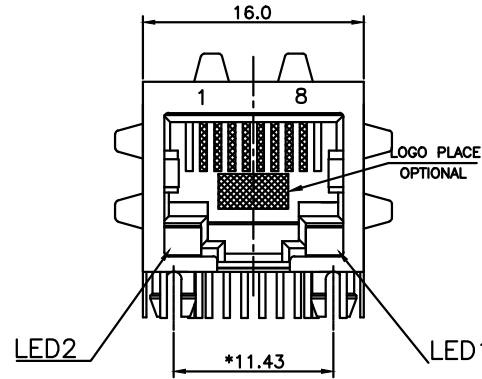


RoHS Compliant

REV	MODIFICATION	DATE	DRAW	APPROVE



PC Board Layout Component Side View  
PC Board Thickness=1.6mm  
Tolerance±0.05



**NOTES:**

**ELECTRICAL:**

- VOLTAGE RATING : 125 VAC RMS .
- CURRENT RATING : 1.5 AMP .
- CONTACT RESISTANCE : 45 MILLIOHMS MAX.
- INSULATION RESISTANCE: 1000 MEGOHMS MIN @ 500 VDC.
- DIELECTRIC STRENGTH : 1000 VDC RMS 60Hz, 1MIN.

**MECHANICAL:**

- HOUSING MATERIAL : PBT OR NYLON./COLOR:BLACK.
- CONTACT MATERIAL : PHOSPHOR BRONZE t=0.35mm OR φ0.46mm.
- PLATING : GOLD PLATING OVER NICKEL.
- OPERATING LIFE : 750 CYCLES MIN.

**ENVIRONMENTAL:**

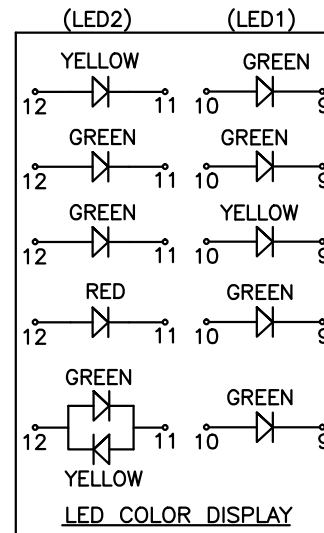
- STORAGE : -40°C TO +85°C.
- OPERATION: -40°C TO +85°C.

MATES WITH MODULAR PLUG CONFORMING TO  
FCC PART 68, SUBPART F.

PART NUMBER: ZW2J88-XXXLXXX

- 0-W/O LOGO
- 1-W/ "ZSNOW" LOGO
- 1-3u" 2-6u" 3-15u"
- 4-30u" 5-50u" F-GOLD FLASH
- L-ROUND PIN(φ0.46mm)
- M-STAMPED PIN(T=0.35mm)
- 2-PBT
- J-NYLON

- 1-LED1:GREEN LED2:YELLOW
- 2-LED1:GREEN LED2:GREEN
- 3-LED1:YELLOW LED2:GREEN
- E-LED1:GREEN LED2:RED
- K-LED1:GREEN LED2:GREEN&YELLOW
- 1-W/O TAB
- 2-W/ TOP TABS
- 4-W/ TOP&SIDE TABS



© : Inspection Item	DIMENSION IN mm [Inch]				ZSNOW ELECTRONIC CO., LTD						
	TOLERANCE UNLESS OTHERWISE SPECIFIED				PART NUMBER		DRAWING NUMBER				
	.X± 0.30 X.*± 2.0°		SEE NOTE		ZW2J88-XXXLXXX-3						
	.XX± 0.20 .X.*± 1.0°		TITLE								
	.XXX± 0.10		SIDE ENTRY LATCH DOWN LED JACK								
APPROVE	TIMLEE	CHECK	ZERO	DRAW	HAPPY	PROJ.		SHEET	1	OF	1
	11/12/19'		11/12/19'		11/12/19'	SCALE	4 : 1	SIZE	A3	REV	P1

THIS INFORMATION IS CONFIDENTIAL AND IS DISCLOSED TO YOU ON CONDITION THAT NO FURTHER DISCLOSURE IS MADE BY YOU TO OTHER THAN ZSNOW ELECTRONICS PERSONNEL WITHOUT WRITTEN AUTHORIZATION FROM INHORO ZSNOW ELECTRONICS CO.,LTD.