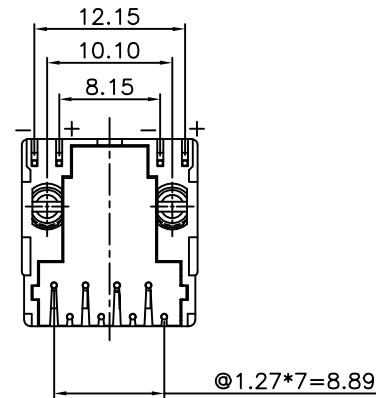
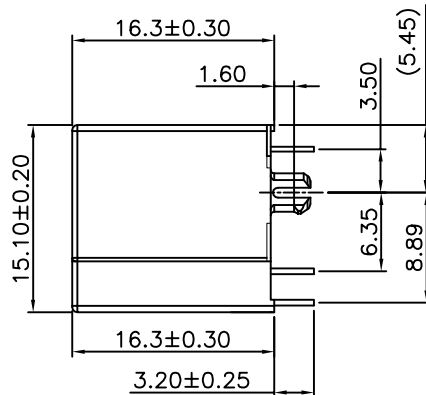
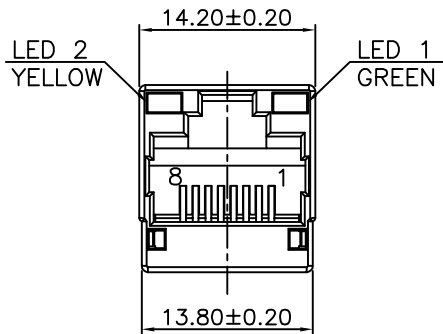


**RoHS Compliant**



**NOTES:**

**ELECTRICAL:**

1. VOLTAGE RATING : 125 VAC RMS.
2. CURRENT RATING : 1.5 AMP.
3. CONTACT RESISTANCE : 30 MILLIOHMS MAX.
4. INSULATION RESISTANCE: 1000 MEGOHMS MIN @ 500 VDC.
5. DIELECTRIC STRENGTH : 1000 VDC RMS 60Hz, 1MIN.

**MECHANICAL:**

1. HOUSING MATERIAL : PBT UL94V-0.
2. CONTACT MATERIAL : PHOSPHOR BRONZE  $\phi$ 0.46mm.
3. PLATING : GOLD PLATING OVER NICKEL.
4. OPERATING LIFE : 750 CYCLES MIN.

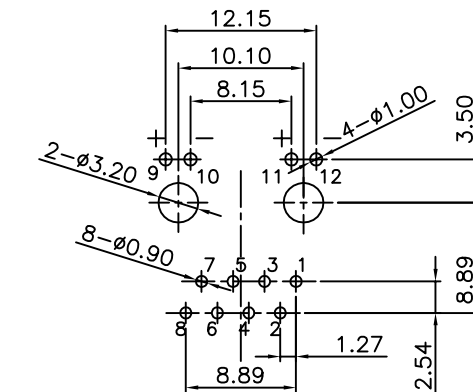
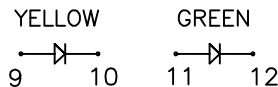
**ENVIRONMENTAL:**

1. STORAGE : -40°C TO +85°C.
2. OPERATION: -40°C TO +85°C.
3. WAVE SOLDERING TEMPERATURE: 235~245°C(3~5 SECONDS).
4. RoHS COMPLIANT.

MATES WITH MODULAR PLUG CONFORMING TO  
FCC PART 68, SUBPART F.  
CUL FILE NO. E345295

PART NUMBER: ZW2288-23XXS1X

- 1-3u" 2-6u"
- 3-15u" 4-30u"
- 5-50u" F-GOLD FLASH
- 15-LED2:YELLOW,LED1:GREEN,PBT WHITE
- 16-LED2:YELLOW,LED1:GREEN,PBT BLACK
- 17-LED2:YELLOW,LED1:GREEN,PBT YELLOW 114C
- 18-LED2:YELLOW,LED1:GREEN,PBT BLUE 285C
- 20-LED2:YELLOW,LED1:GREEN,PBT RED 485U



PC Board Layout Component Side Shown  
PC Board Thickness=1.6mm  
Tolerance±0.05

Inspection Item	DIMENSION IN mm [Inch]			ZSNOW ELECTRONIC CO., LTD	
	TOLERANCE UNLESS OTHERWISE SPECIFIED			PART NUMBER	DRAWING NUMBER
	.X±0.30	X.*±2.0'	SEE NOTE		ZW2288X-23XXS1X-11
	.XX±0.20	.X.*±1.0'	TITLE		
.XXX±0.10		TOP ENTRY LED JACK 1*1			
APPROVE	CHECK	DRAW	PROJ.	SHEET	OF
TIMLEE	ZERO	HAPPY	5:3	1	1
07/13/20'	07/13/20'	07/13/20'	SCALE	SIZE	REV
			5:3	A3	P1

THIS INFORMATION IS CONFIDENTIAL AND IS DISCLOSED TO YOU ON CONDITION THAT NO FURTHER DISCLOSURE IS MADE BY YOU TO OTHER THAN ZSNOW ELECTRONICS PERSONNEL WITHOUT WRITTEN AUTHORIZATION FROM INHIBO ZSNOW ELECTRONICS CO.,LTD.