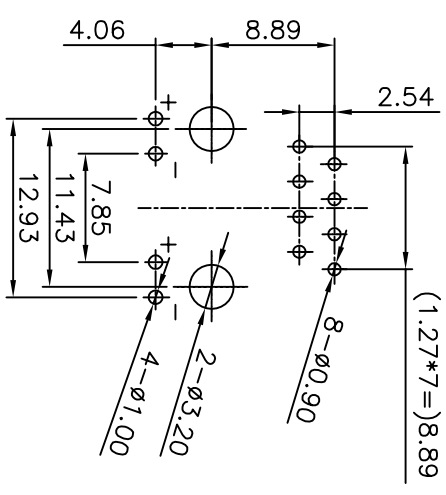
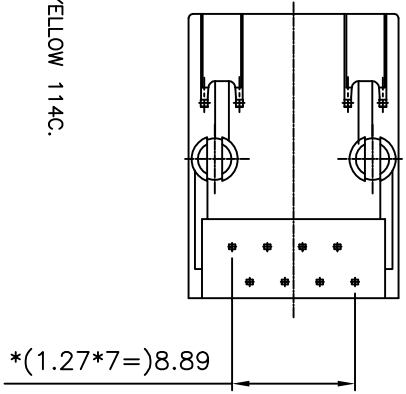
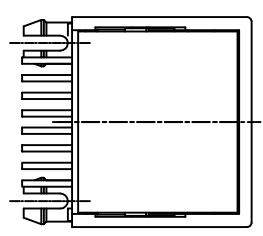
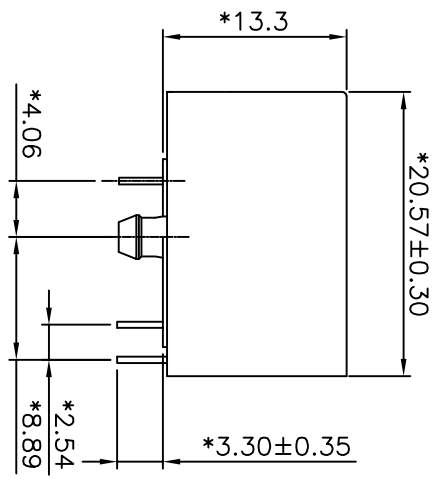
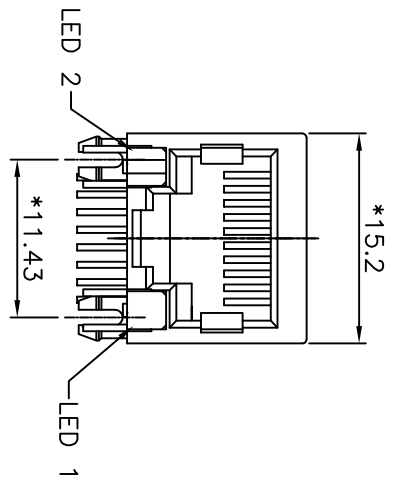


RoHS Compliant



PC Board Layout Component Side Shown

- NOTES:**
- ELECTRICAL:**
- VOLTAGE RATING : 125 VAC RMS .
 - CURRENT RATING : 1.5 AMP
 - CONTACT RESISTANCE : 35 MILLIOHMS MAX.
 - INSULATION RESISTANCE : 1000 MEGOHMS MIN @ 500 VDC.
 - DIELECTRIC STRENGTH : 1000 VAC RMS 60Hz, 1MIN.
- MECHANICAL:**
- HOUSING MATERIAL : PBT UL94V-0/COLOR:PANTONE YELLOW 114C.
 - CONTACT MATERIAL : PHOSPHOR BRONZE t=0.35mm.
 - PLATING : GOLD PLATING OVER NICKEL.
 - OPERATING LIFE : 750 CYCLES MIN.
 - PCB RETENTION PRE-SOLDER : 1 LB MIN.
 - PCB RETENTION POST-SOLDER: 10 LBS MIN.
- ENVIRONMENTAL:**
- STORAGE : -40°C TO +85°C.
 - OPERATION: -40°C TO +85°C.
 - WAVE SOLDERING TEMPERATURE: 230~250°C(3~5 SECONDS).
 - RoHS COMPLIANT.
- MATES WITH MODULAR PLUG CONFORMING TO FCC PART 68, SUBPART F.
CUL FILE NO. E345295
PART NUMBER: ZW2J88-XX0LMPX

- 0-W/O LOGO
1-W/ FSNOW LOGO
2-W/ FSNOW LOGO
- 1-3u" 2-8u"
3-15u" 4-30u"
5-50u" F-GOLD FLASH
- 1-LED1:GREEN, LED2:YELLOW
2-LED1:GREEN, LED2:GREEN

:Inspection Item		:Cp/Cpk and SPC Control Item	
DIMENSION IN mm [Inch]		TOLERANCE UNLESS OTHERWISE SPECIFIED	
.X ± 0.30	X ± 2.0°	.XXX ± 0.10	X ± 1.0°
APPROVE SKYCHEN 02/15/12'		CHECK ASHELLY 02/15/12'	
PART NUMBER SEE NOTE		DRAWING NUMBER ZW2J88-XX0LMPX	
TITLE SIDE ENTRY LED JACK		DRAW JONEPAN 02/14/12'	
PROJ. SCALE 5:1		SHEET 1 OF 1	
SIZE A4		REV P1	