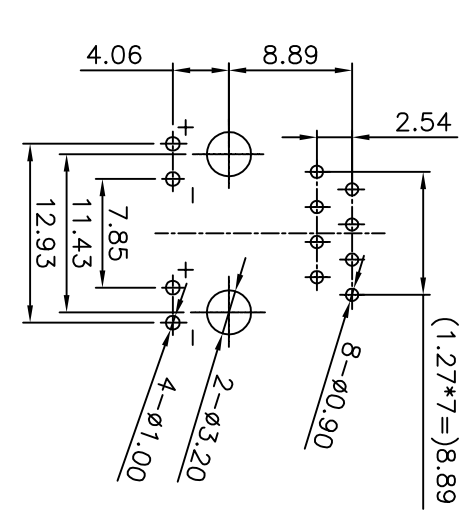
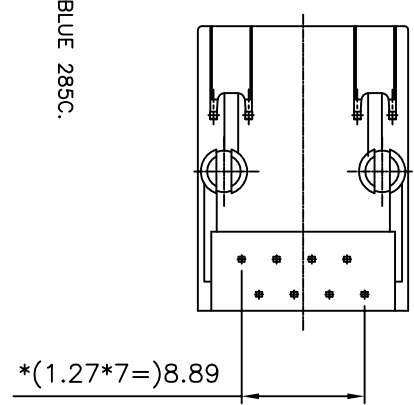
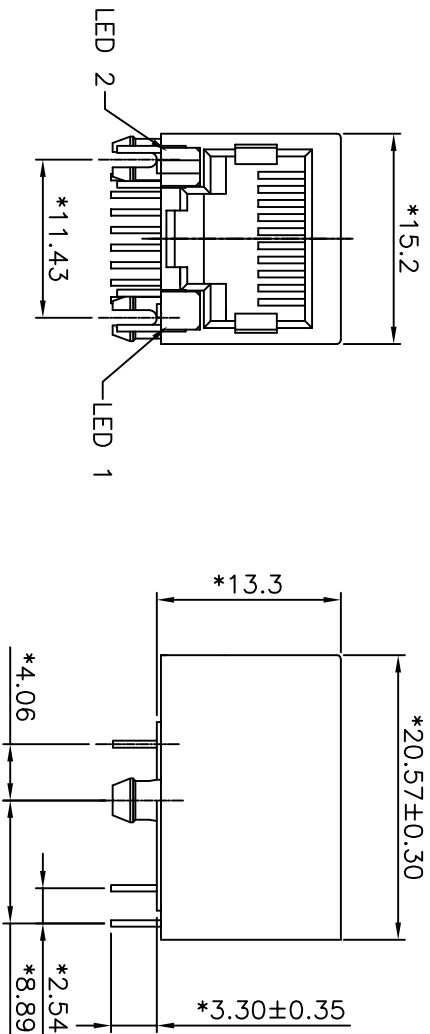


RoHS Compliant



PC Board Layout Component Side Shown

NOTES:

- ELECTRICAL:**
- VOLTAGE RATING : 125 VAC RMS .
 - CURRENT RATING : 1.5 AMP
 - CONTACT RESISTANCE : 35 MILLIOHMS MAX.
 - INSULATION RESISTANCE: 1000 MEGOHMS MIN @ 500 VDC.
 - Dielectric Strength : 1000 VAC RMS 60Hz, 1MIN.
- MECHANICAL:**
- HOUSING MATERIAL : PBT U.94V-0./COLOR:PANTONE BLUE 285C.
 - CONTACT MATERIAL : PHOSPHOR BRONZE t=0.35mm.
 - PLATING : GOLD PLATING OVER NICKEL.
 - OPERATING LIFE : 750 CYCLES MIN.
 - PCB RETENTION PRE-SOLDER : 1 LB MIN.
 - PCB RETENTION POST-SOLDER: 10 LBS MIN.

ENVIRONMENTAL:

- STORAGE : -40°C TO +85°C.
 - OPERATION: -40°C TO +85°C.
 - WAVE SOLDERING TEMPERATURE: 230~250°C(3~5 SECONDS).
 - ROHS COMPLIANT.
- MATES WITH MODULAR PLUG CONFORMING TO
 FCC PART 68, SUBPART F.
 CUL FILE NO. E545295
 PART NUMBER: ZW2188-XX0L7PX

- 0-W/O LOGO
 1-W/ ZSNOW LOGO
 2-W/ F LOGO

- 1-3u" 2-6u"
 3-15u" 4-30u"
 5-50u" F-GOLD FLASH
- 1-LED1:GREEN, LED2:YELLOW
 2-LED1:GREEN, LED2:GREEN

| | | | |
|---------------------------------|-------------------------------|--------------------------------------|----------------------------------|
| : Inspection Item | | : Cp/Cpk and SPC Control Item | |
| DIMENSION IN mm [Inch] | | TOLERANCE UNLESS OTHERWISE SPECIFIED | |
| .XX ± 0.10 | .X ± 1.0" | X ± 0.30 | X ± 2.0" |
| .XX ± 0.20 | .X ± 1.0" | .XX ± 0.20 | .X ± 1.0" |
| APPROVE SKYCHEN 02/15/12' | CHECK ASHLELY 02/15/12' | PART NUMBER SEE NOTE | DRAWING NUMBER ZW2188-XX0L7PX |
| TITLE SIDE ENTRY LED JACK | | DRAW JONEPAN 02/14/12' | |
| SCALE 5 : 1 | | SHEET 1 OF 1 | |
| SIZE A4 | | REV P1 | |