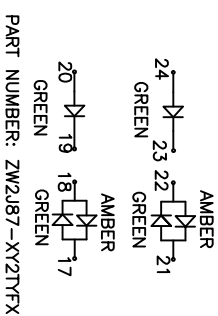
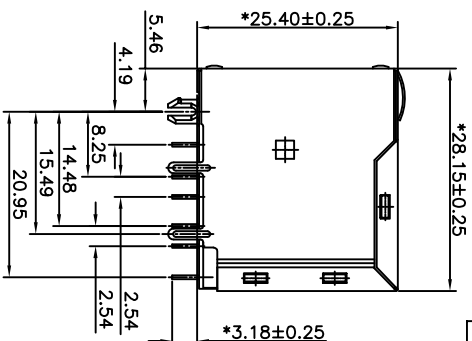
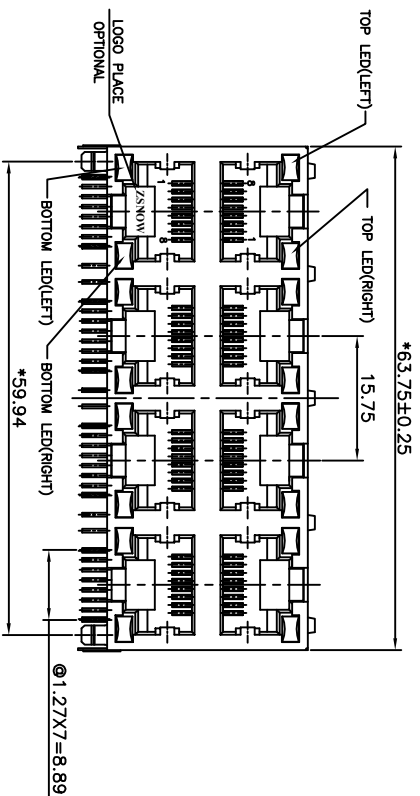


RoHS Compliant



NOTES:

ELECTRICAL:

1. VOLTAGE RATING : 125 VAC RMS.
2. CURRENT RATING : 1.5 AMP.
3. CONTACT RESISTANCE : 50 MILLIOHMS MAX.
4. INSULATION RESISTANCE : 1000 MEGOHMS MIN @ 500 VDC.
5. DIELECTRIC STRENGTH : 1000 VDC RMS 60Hz, 1MIN.
6. LED RATINGS: FORWARD VOLTAGE: 2.2 VOLTS TYPICAL.  
REVERSE VOLTAGE: 5 VOLTS MAXIMUM.  
FORWARD CURRENT: 20ma MAXIMUM,5ma MINIMUM.

MECHANICAL:

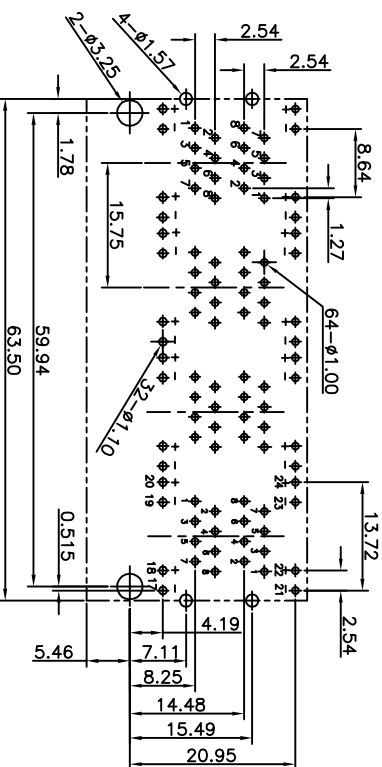
1. HOUSING MATERIAL : PBT UL94V-0./COLOR:BLACK.
2. CONTACT MATERIAL : PHOSPHOR BRONZE  $\phi 0.46$ mm.
3. PLATING : GOLD PLATING OVER NICKEL.
4. OPERATING LIFE : 750 CYCLES MIN.
5. PCB RETENTION PRE-SOLDER : 1 LB MIN.
6. PCB RETENTION POST-SOLDER: 10 LBS MIN.

ENVIRONMENTAL:

1. STORAGE : -40°C TO +85°C.
  2. OPERATION: -40°C TO +85°C.
- MATES WITH MODULAR PLUG CONFORMING TO FCC PART 68, SUBPART F.  
ROHS PART NUMBER: ZW2J87-XY2TYFX

0-W/O LOGO  
1-W/ZSNOW LOGO

Gold Thickness:  
1-3u 2-6u  
3-15u 4-30u  
5-50u F-GOLD FLASH



PC Board Layout Component Side Shown  
PC Board Thickness=1.6mm  
Tolerance $\pm 0.05$

Inspection Item

DIMENSION IN mm [Inch]		TOLERANCE UNLESS OTHERWISE SPECIFIED		PART NUMBER		DRAWING NUMBER	
X ± 0.30	X ± 2.0°	X ± 0.30	X ± 2.0°	SEE NOTE	ZW2J87-XY2TYFX	ZSNOW ELECTRONIC CO., LTD	
.XX ± 0.20	.X ± 1.0°	TITLE					
.XXX ± 0.10		MINI 2X4 LED JACK					
APPROVE	CHECK	DATE	DATE	DRAW	DATE	PROJ	SHEET
TIMEEE	ZERO	08/24/19'	08/24/19'	HAPPY	08/24/19'	SCALE	1 OF 1
						2 : 1	
							REV P-1