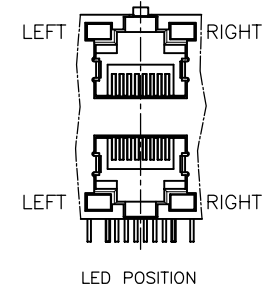
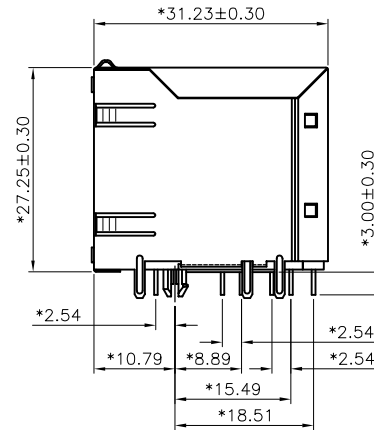
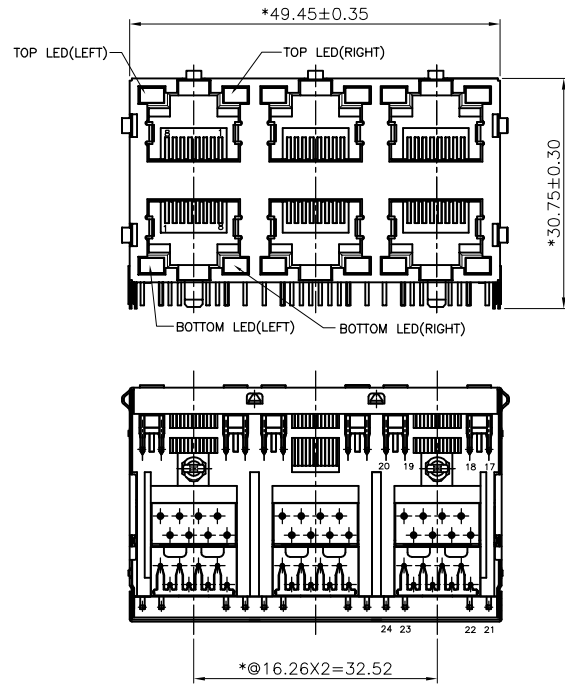


RoHS Compliant



NOTES:

ELECTRICAL:

- VOLTAGE RATING : 125 VAC RMS.
- CURRENT RATING : 1.5 AMP.
- CONTACT RESISTANCE : 50 MILLIOHMS MAX.
- INSULATION RESISTANCE: 1000 MEGOHMS MIN @ 500 VDC.
- DIELECTRIC STRENGTH : 1000 VAC RMS 60Hz, 1MIN.

MECHANICAL:

- HOUSING MATERIAL : PBT UL94V-0.
- CONTACT MATERIAL : PHOSPHOR BRONZE  $\phi$ 0.46mm
- CONTACT PLATING : GOLD PLATING OVER NICKLE
- SHIELD PLATING : NICKEL PLATING OVER BRASS
- OPERATING LIFE : 750 CYCLES MIN.
- PCB RETENTION PRE-SOLDER : 1 LB MIN.
- PCB RETENTION POST-SOLDER: 10 LBS MIN.

ENVIRONMENTAL:

- STORAGE : -40°C TO +85°C.
- OPERATION: -40°C TO +85°C.

MATES WITH MODULAR PLUG CONFORMING TO

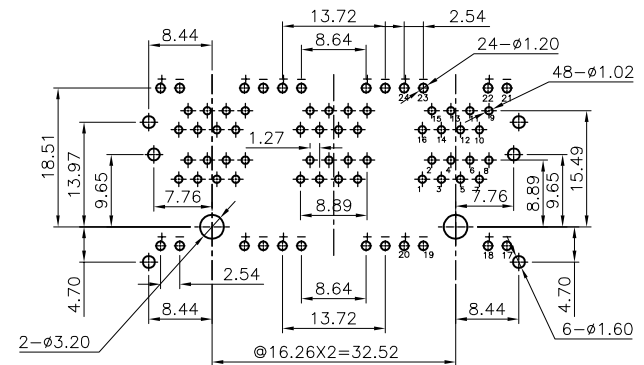
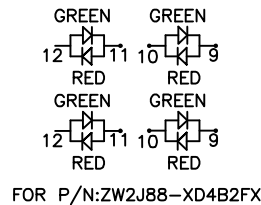
FCC PART 68, SUBPART F.

PART NUMBER: ZW2J88-XX4B2FX

0-W/O LOGO  
1-W/ ZSNOW LOGO  
2-W/ "F" LOGO

Gold Thickness:  
1-3u" 2-6u" 3-15u"  
4-30u" 5-50u" F-GOLD FLASH

A-LEFT LED:GREEN RIGHT LED:GREEN  
B-LEFT LED:GREEN RIGHT LED:ORANGE  
C-LEFT LED:GREEN RIGHT LED:YELLOW  
D-LEFT LED:GREEN+RED RIGHT LED:GREEN+RED  
L-LEFT LED:YELLOW, RIGHT LED:GREEN  
F-LEFT LED:ORANGE, RIGHT LED:GREEN



PC Board Layout  
Component Side Shown

QC : Inspection Item CPK : Cp/Cpk and SPC Control Item	DIMENSION IN mm [Inch]		ZSNOW ELECTRONIC CO., LTD	
	TOLERANCE UNLESS OTHERWISE SPECIFIED		PART NUMBER	DRAWING NUMBER
	.X± 0.30 X.*± 2.0°		SEE NOTE	ZW2J88-XX4B2FX
	.XX± 0.20 .X*± 1.0°		TITLE	
.XXX± 0.10		RJ45(LED) STACKED GANGED JACK, 2X3		
APPROVE	CHECK	DRAW	PROJ.	SHEET 1 OF 1
SKYCHEN 12/28/10'	ASHELLY 12/28/10'	JAKE 06/15/09'		REV P4
		SCALE 3 : 1	SIZE A4	

THIS INFORMATION IS CONFIDENTIAL AND IS DISCLOSED TO YOU ON CONDITION THAT NO FURTHER DISCLOSURE IS MADE BY YOU TO OTHER THAN ZSNOW ELECTRONICS PERSONNEL WITHOUT WRITTEN AUTHORIZATION FROM INHBO ZSNOW ELECTRONICS CO.,LTD.