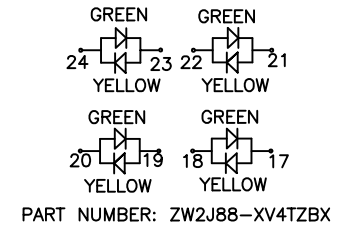
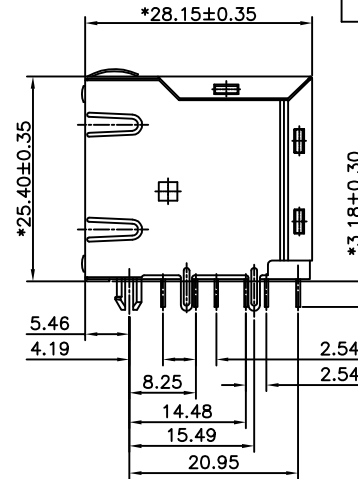
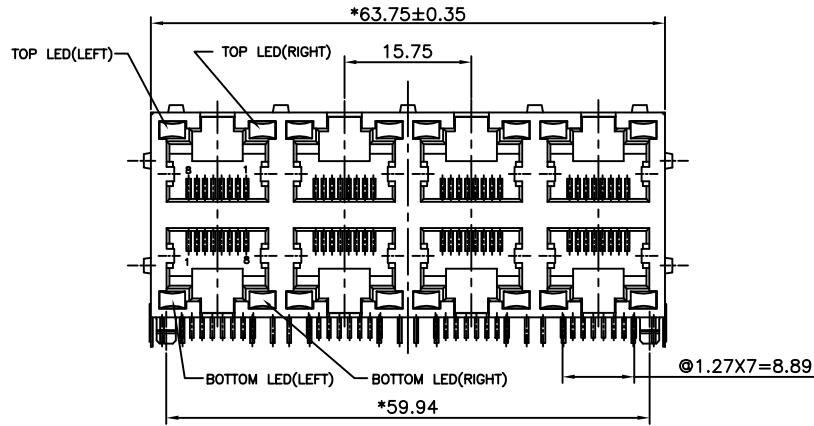


RoHS Compliant



**NOTES:**

**ELECTRICAL:**

1. VOLTAGE RATING : 125 VAC RMS.
2. CURRENT RATING : 1.5 AMP.
3. CONTACT RESISTANCE : 50 MILLIOHMS MAX.
4. INSULATION RESISTANCE: 1000 MEGOHMS MIN @ 500 VDC.
5. DIELECTRIC STRENGTH : 1000 VDC RMS 60Hz, 1MIN.

**MECHANICAL:**

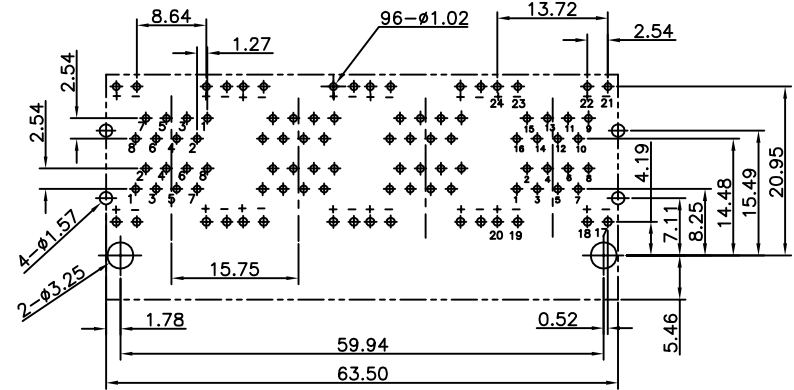
1. HOUSING MATERIAL : NYLON UL94V-0./COLOR:BLACK.
2. CONTACT MATERIAL : PHOSPHOR BRONZE t=0.35mm.
3. PLATING : GOLD PLATING OVER NICKEL.
4. OPERATING LIFE : 750 CYCLES MIN.
5. PCB RETENTION PRE-SOLDER : 1 LB MIN.
6. PCB RETENTION POST-SOLDER: 10 LBS MIN.

**ENVIRONMENTAL:**

1. STORAGE : -40°C TO +85°C.
2. OPERATION: -40°C TO +85°C.

MATES WITH MODULAR PLUG CONFORMING TO FCC PART 68, SUBPART F.

RoHS PART NUMBER: ZW2J88-XX4TZBX



PC Board Layout Component Side Shown  
PC Board Thickness=1.6mm  
Tolerance±0.05

0-W/O LOGO  
1-W/ ZSNOW LOGO  
2-W/ "F" LOGO

Gold Thickness:  
1-3u" 2-6u"  
3-15u" 4-30u"  
5-50u" F-GOLD FLASH

A-RIGHT:GREEN LEFT:GREEN  
B-RIGHT:ORANGE LEFT:GREEN  
C-RIGHT:YELLOW LEFT:GREEN  
L-RIGHT:GREEN LEFT:YELLOW  
V-RIGHT:GREEN+YELLOW LEFT:GREEN+YELLOW  
T-RIGHT:ORANGE LEFT:GREEN

QC : inspection item CPK : Cp/Cpk and SPC Control Item	DIMENSION IN mm [Inch]		ZSNOW ELECTRONIC CO., LTD	
	TOLERANCE UNLESS OTHERWISE SPECIFIED		PART NUMBER	DRAWING NUMBER
	.X± 0.30 X.*± 2.0°		SEE NOTE	ZW2J88-XX4TZBX
	.XX± 0.20 .X*± 1.0°		TITLE	
.XXX± 0.10		MINI 2X4 LED JACK		
APPROVE	CHECK	DRAW	PROJ.	SHEET 1 OF 1
TIMLEE 03/02/17'	HAPPY 03/02/17'	ZERO 03/02/17'	3 : 1	REV P1

THIS INFORMATION IS CONFIDENTIAL AND IS DISCLOSED TO YOU ON CONDITION THAT NO FURTHER DISCLOSURE IS MADE BY YOU TO OTHER THAN ZSNOW ELECTRONICS PERSONNEL WITHOUT WRITTEN AUTHORIZATION FROM NINGBO ZSNOW ELECTRONICS CO.,LTD.