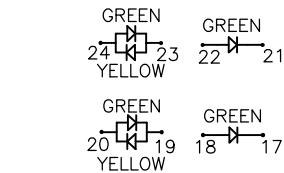
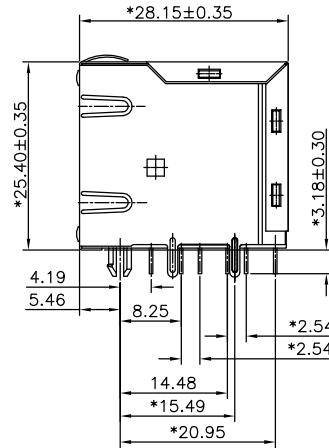
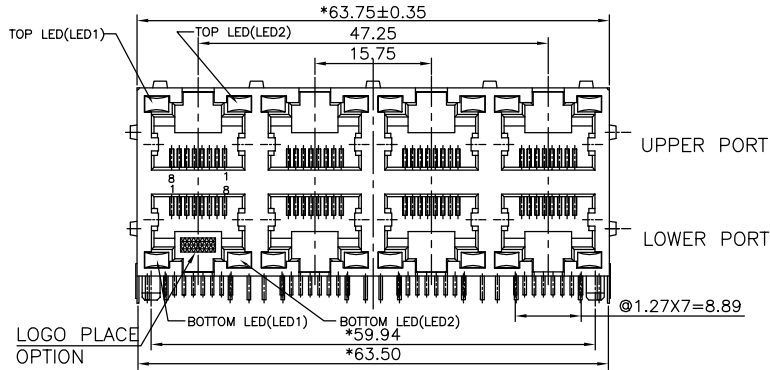
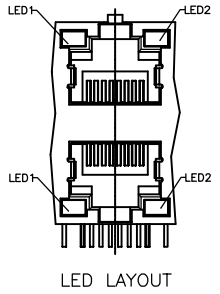


# 网站图纸

RoHS Compliant



PART NUMBFR:ZW2J88-XN4TFCX-L



**NOTES:**

**ELECTRICAL:**

- VOLTAGE RATING : 125 VAC RMS.
- CURRENT RATING : 1.5 AMP.
- CONTACT RESISTANCE : 60 MILLIOHMS MAX.
- INSULATION RESISTANCE: 1000 MEGOHMS MIN @ 500 VDC.
- DIELECTRIC STRENGTH : 1000 VDC RMS 60Hz, 1MIN.

**MECHANICAL:**

- HOUSING MATERIAL : NYLON UL94V-0./COLOR:BLACK.
- CONTACT MATERIAL : PHOSPHOR BRONZE T=0.35mm.
- PLATING : GOLD PLATING OVER NICKEL.
- OPERATING LIFE : 750 CYCLES MIN.
- PCB RETENTION PRE-SOLDER : 1 LB MIN.
- PCB RETENTION POST-SOLDER: 10 LBS MIN.

**ENVIRONMENTAL:**

- STORAGE : -40°C TO +85°C.
- OPERATION: -40°C TO +85°C.
- WAVE SOLDERING TEMPERATURE: 250~260°C(5~10 SECONDS).
- ROHS COMPLIANT.

MATES WITH MODULAR PLUG CONFORMING TO

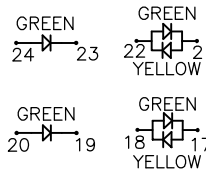
FCC PART 68, SUBPART F.

CUL FILE NO. E345295

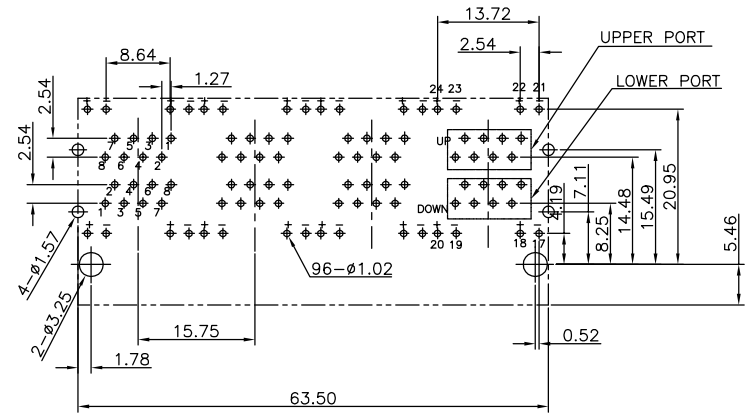
PART NUMBER: ZW2J88-XX4TFCX

- 0-W/O LOGO
- 1-W/ ZSNOW LOGO
- 2-W/ "F" LOGO
- 1-3u" 2-6u" 3-15u"
- 4-30u" 5-50u" F-GOLD FLASH

- A-LED1:GREEN, LED2:GREEN
- B-LED1:GREEN, LED2:ORANGE
- C-LED1:GREEN, LED2:YELLOW
- L-LED1:YELLOW, LED2:GREEN
- N-LED1:GREEN&YELLOW, LED2:GREEN
- K-LED1:GREEN, LED2:GREEN&YELLOW



PART NUMBFR:ZW2J88-XK4TFCX-L



PC Board Layout Component Side Shown

PC Board Thickness=1.6mm

Tolerance±0.05

Inspection Item	DIMENSION IN mm [Inch]		<b>ZSNOW</b>		ZSNOW ELECTRONIC CO., LTD	
	TOLERANCE UNLESS OTHERWISE SPECIFIED		PART NUMBER		DRAWING NUMBER	
	.X± 0.30 X.*± 2.0°		SEE NOTE		ZW2J88-XX4TFCX	
	.XX± 0.20 .X*± 1.0°		TITLE			
	.XXX± 0.10		MINI LED JACK,2X4			
APPROVE	CHECK	DRAW	PROJ.	SHEET	1	OF 1
TIMLEE	ZERO	HAPPY				
05/18/15'	05/18/15'	05/18/15'				
		SCALE 1:1		SIZE A4		REV P2

THIS INFORMATION IS CONFIDENTIAL AND IS DISCLOSED TO YOU ON CONDITION THAT NO FURTHER DISCLOSURE IS MADE BY YOU TO OTHER THAN ZSNOW ELECTRONICS PERSONNEL WITHOUT WRITTEN AUTHORIZATION FROM ANISO ZSNOW ELECTRONICS CO.,LTD.