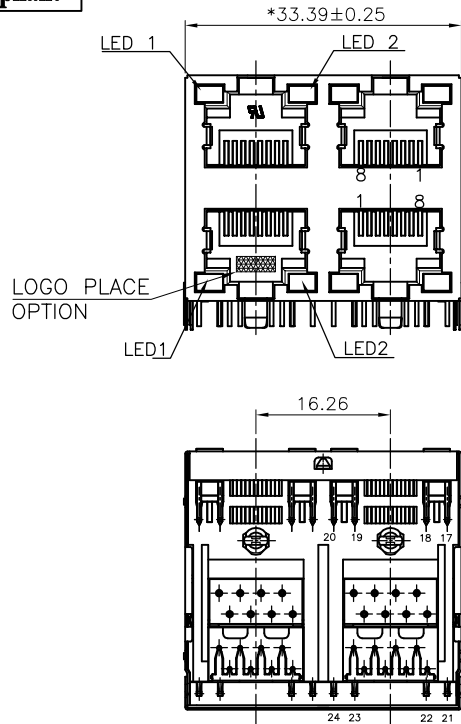


网站图纸

RoHS Compliant

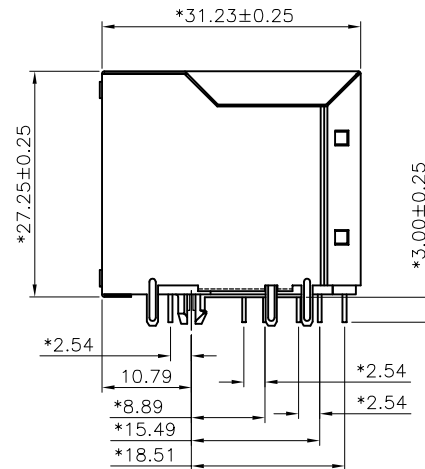


UPPER PORT

LOWER PORT

LOWER PORT

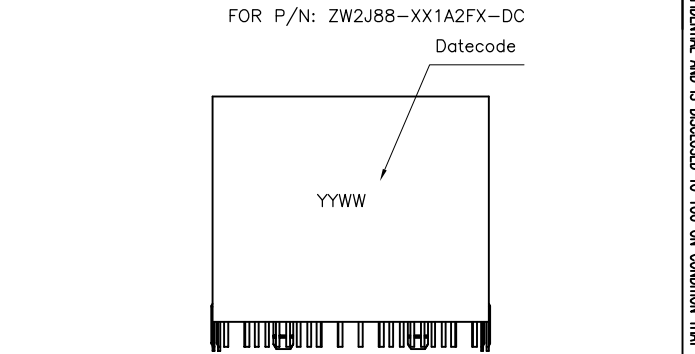
UPPER PORT



GREEN GREEN
24 23 22 21
RED RED

GREEN GREEN
20 19 18 17
RED RED

FOR P/N: ZW2J88-XD1A2FX
FOR P/N: ZW2J88-XD1A2FX-DC



NOTES:

ELECTRICAL:

- VOLTAGE RATING : 125 VAC RMS.
- CURRENT RATING : 1.5 AMP.
- CONTACT RESISTANCE : 60 MILLIOHMS MAX.
- INSULATION RESISTANCE: 1000 MEGOHMS MIN @ 500 VDC.
- DIELECTRIC STRENGTH : 1000 VDC RMS 60Hz, 1MIN.
- LED RATINGS: FORWARD VOLTAGE: 2.2 VOLTS TYPICAL.
REVERSE VOLTAGE: 5 VOLTS MAXIMUM.

MECHANICAL:

- HOUSING MATERIAL : PBT UL94V-0./COLOR:BLACK.
- CONTACT MATERIAL : PHOSPHOR BRONZE Ø0.46mm.
- PLATING : GOLD PLATING OVER NICKEL.
- OPERATING LIFE : 750 CYCLES MIN.
- PCB RETENTION PRE-SOLDER : 1 LB MIN.
- PCB RETENTION POST-SOLDER: 10 LBS MIN.

ENVIRONMENTAL:

- STORAGE : -40°C TO +85°C.
- OPERATION: -40°C TO +85°C.
- WAVE SOLDERING TEMPERATURE: 230~240°C(3~5 SECONDS).
- RoHS COMPLIANT.

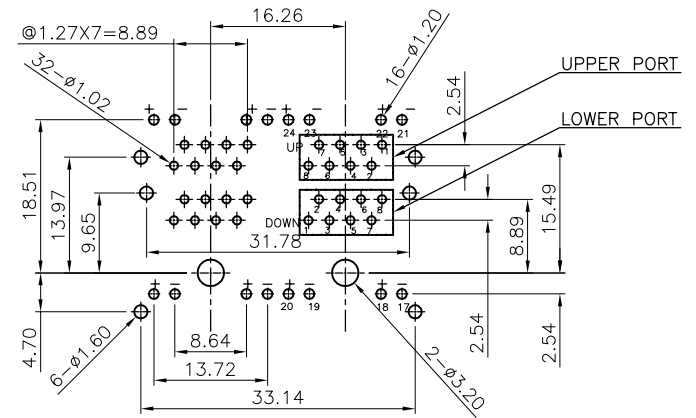
MATES WITH MODULAR PLUG CONFORMING TO
FCC PART 68, SUBPART F.
CUL FILE NO. E345295

PART NUMBER: ZW2J88-XX1A2FX

PART NUMBER: ZW2J88-XX1A2FX-DC

- 0-W/O LOGO
- 1-W/ ZSNOW LOGO
- 2-W/ 'F' LOGO
- WITH DATECODE
- 1-3u" 2-6u" 3-15u"
- 4-30u" 5-50u" F-GOLD FLASH

- A-LED1 GREEN, LED2 GREEN
- B-LED1 GREEN, LED2 ORANGE
- C-LED1 GREEN, LED2 YELLOW
- L-LED1 YELLOW, LED2 GREEN
- D-LED1 G+R, LED2 G+R



PC Board Layout Component Side Shown
PC Board Thickness=1.6mm
Tolerance±0.05

- 0-W/O LOGO
- 1-W/ ZSNOW LOGO
- 2-W/ 'F' LOGO
- 1-3u" 2-6u" 3-15u"
- 4-30u" 5-50u" F-GOLD FLASH
- A-LED1 GREEN, LED2 GREEN
- B-LED1 GREEN, LED2 ORANGE
- C-LED1 GREEN, LED2 YELLOW
- L-LED1 YELLOW, LED2 GREEN
- D-LED1 G+R, LED2 G+R

Inspection Item	DIMENSION IN mm [Inch]		ZSNOW ELECTRONIC CO., LTD	
	TOLERANCE UNLESS OTHERWISE SPECIFIED			
	.X±0.30	X.*±2.0*	SEE NOTE	ZW2J88-XX4A2FX
	.XX±0.20	.X.*±1.0*	TITLE	
.XXX±0.10		RJ45(LED) STACKED GANGED JACK, 2X2		
APPROVE	CHECK	DRAW	PROJ.	SHEET 1 OF 1
TIMLEE 12/14/18'	ZERO 12/14/18'	HAPPY 12/14/18'	SCALE 5 : 4	SIZE A3
				REV P2

THIS INFORMATION IS CONFIDENTIAL AND IS DISCLOSED TO YOU ON CONDITION THAT NO FURTHER DISCLOSE IS MADE BY YOU TO OTHER THAN ZSNOW ELECTRONICS PERSONNEL WITHOUT WRITTEN AUTHORIZATION FROM INHUBO ZSNOW ELECTRONICS CO.,LTD.