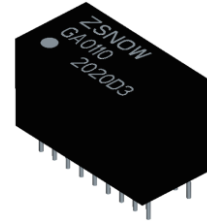


10/100/1000 BASE-T SINGLE PORT LAN FILTER

Description

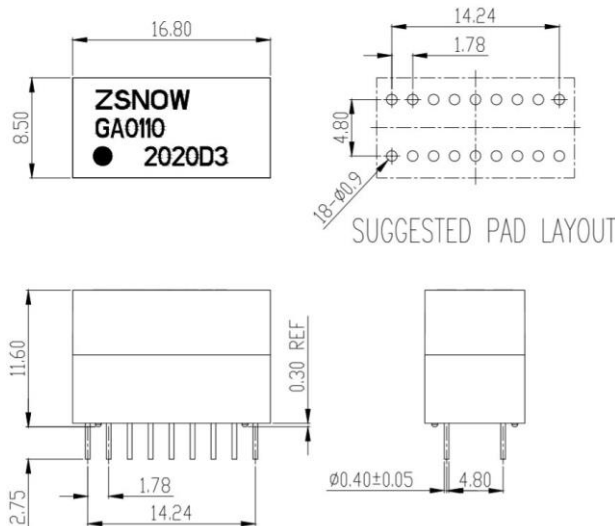
- IEEE 802.3ab requirement...
- Comply with RoHS & Halogen Free requirements.
- Operating temperature range from: -40°C to +85°C.
- Storage temperature range from: -40°C to +85°C.



Electrical Specifications @ 25°C

Hi-pot:1500Vrms , Turns Ratio TX/RX(±5%):1CT:1CT , OCL:350uH min @100KHz/0.1V with 8mA DC Bias										
Part No	Insertion Loss (dB Max)	Return Loss (dB Min)			Cross talk (dB Min)			DCMR (dB Min)		
		1-100MHz	30MHz	50MHz	80MHz	0.3-30MHz	30-60MHz	60-100MHz	1-30MHz	30-60MHz
GA0110	-1.1	-15	-13	-11	-40	-35	-30	-30	-25	-20

Mechanical



Dimension: mm / Unless otherwise specified, tolerances: ±0.3(mm)

Schematic

