

10/100/1000/2.5G/5G BASE-T DUAL PORT LAN FILTER

Description

- Design for 5G ethernet application. Complying with IEEE 802.3bt standard.
- Suitable for End-span POE applications with 900mA current capability.
- Comply with RoHS & Halogen Free requirements.
- Operating temperature range from: -40°C to +85°C.
- Storage temperature range from: -40°C to +85°C.

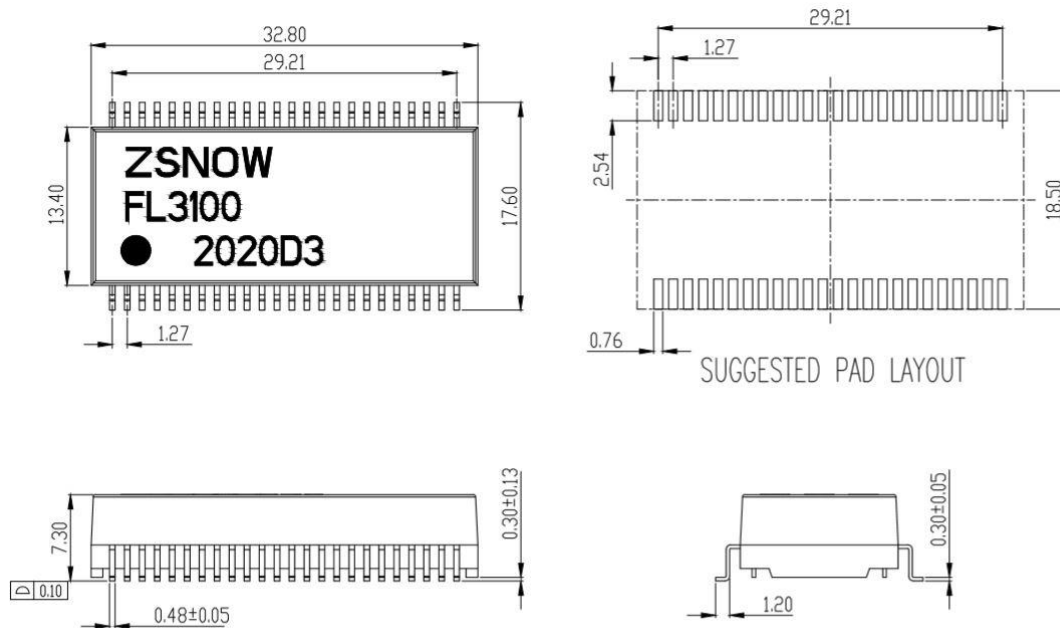


Electrical Specifications @ 25°C

Hi-pot:1500 Vrms , Turns Ratio TX/RX(±5%):1CT:1CT , OCL:180(uH Min) @100KHz/0.1V				
Part No	Insertion Loss (dB Max)		Return Loss (dB Min) Load 100Ω	
	$1 \leq f \leq 100$ MHz	$100 < f \leq 250$ MHz	$1 \leq f \leq 40$ MHz	$40 < f \leq 250$ MHz
FL3100	- 1.0	-2.0	-16	$-(16-10 \log_{10}(f/40))$

Part No	Cross talk (dB Min)	DCMR (dB Min)	
	$1 \leq f \leq 250$ MHz	$1 < f \leq 30$ MHz	$30 < f \leq 250$ MHz
FL3100	$-(43.1 - 20 \log_{10}(f/100))$	-48	$-(44-19.2 \log_{10}(f/50))$

Mechanical



Dimension: mm / Unless otherwise specified, tolerances:±0.25(mm)

10/100/1000/2.5G/5G BASE-T DUAL PORT LAN FILTER

Schematic

