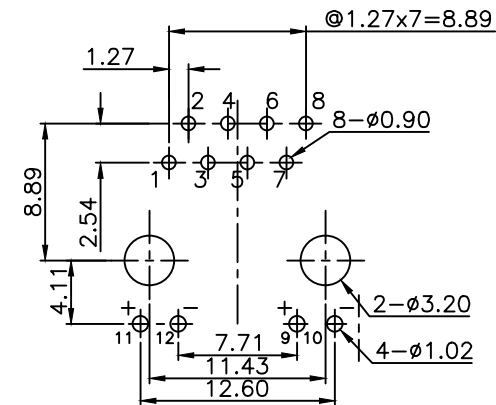
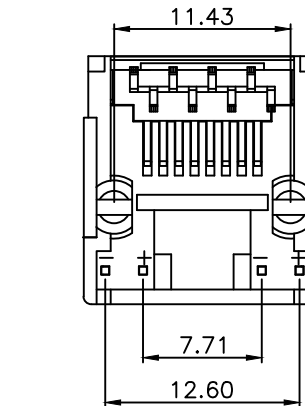
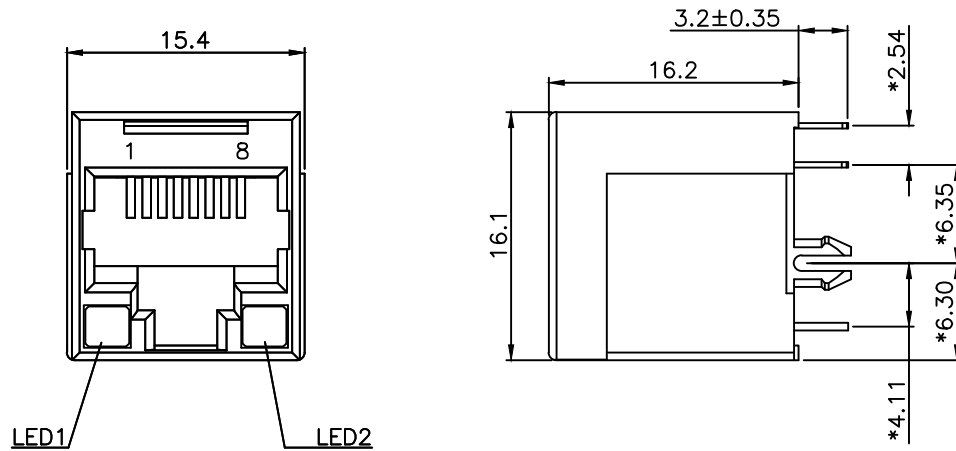


RoHS Compliant



PC Board Layout Component Side Shown
PC Board Thickness=1.6mm PCB TOLERANCE:±0.05

NOTES:

ELECTRICAL:

- 1. VOLTAGE RATING : 125 VAC RMS.
- 2. CURRENT RATING : 1.5 AMP.
- 3. CONTACT RESISTANCE : 30 MILLIOHMS MAX.
- 4. INSULATION RESISTANCE: 1000 MEGOHMS MIN @ 500 VDC.
- 5. DIELECTRIC STRENGTH : 1000 VDC RMS 60Hz, 1MIN.
- 6. LED RATINGS : FORWARD VOLTAGE: 2.2 VOLTS TYPICAL.
REVERSE VOLTAGE: 5 VOLTS MINIMUM.

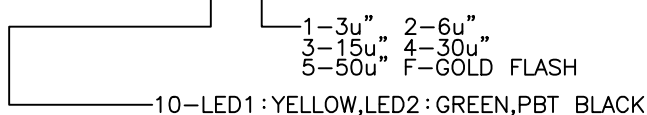
MECHANICAL:

- 1. HOUSING MATERIAL : PBT UL94V-0.
- 2. CONTACT MATERIAL : PHOSPHOR BRONZE T=0.35mm.
- 3. PLATING : GOLD PLATING OVER NICKEL.
- 4. OPERATING LIFE : 750 CYCLES MIN.
- 5. PCB RETENTION PRE-SOLDER : 1 LB MIN.
- 6. PCB RETENTION POST-SOLDER: 10 LBS MIN.

ENVIRONMENTAL:

- 1. STORAGE : -40°C TO +85°C.
- 2. OPERATION: -40°C TO +85°C.
- 3. WAVE SOLDERING TEMPERATURE: 230~240°C(3~5 SECONDS).

4. RoHS COMPLIANT.
MATES WITH MODULAR PLUG CONFORMING TO
FCC PART 68, SUBPART F.
CUL FILE NO. E345295
PART NUMBER: ZW2288-2CXXS1X



Inspection Item	DIMENSION IN mm [Inch]		ZSNOW		ZSNOW ELECTRONIC CO., LTD	
	TOLERANCE UNLESS OTHERWISE SPECIFIED		PART NUMBER		DRAWING NUMBER	
	.X± 0.30 X.*± 2.0°		SEE NOTE		ZW2288-2CXXS1X-4	
	.XX± 0.20 .X*± 1.0°		TITLE			
.XXX± 0.10		RJ45 TOP ENTRY PCB JACK(W/LED)				
APPROVE	CHECK	DRAW	PROJ.	SHEET 1 OF 1		
TIM	ZERO	HAPPY	SCALE 5 : 1	SIZE A3	REV P1	
12/07/18'	12/07/18'	12/07/18'				

THIS INFORMATION IS CONFIDENTIAL AND IS DISCLOSED TO YOU ON CONDITION THAT NO FURTHER DISCLOSURE IS MADE BY YOU TO OTHER THAN ZSNOW ELECTRONICS PERSONNEL WITHOUT WRITTEN AUTHORIZATION FROM HANGZHOU ZSNOW ELECTRONICS CO.,LTD.