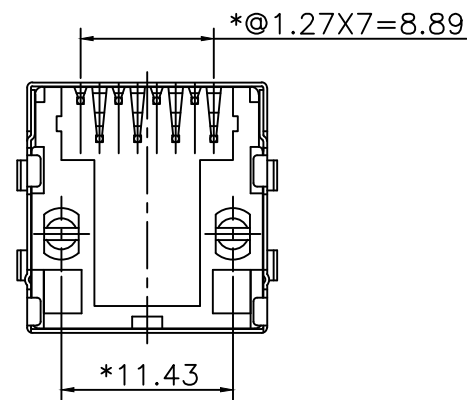
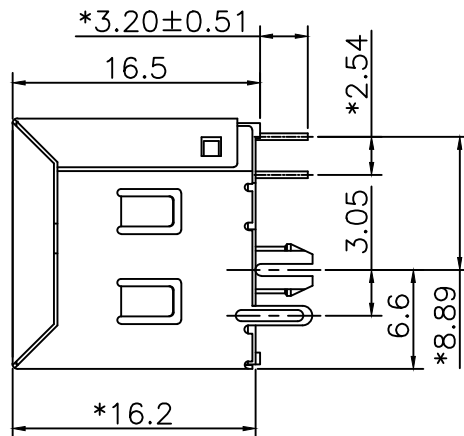
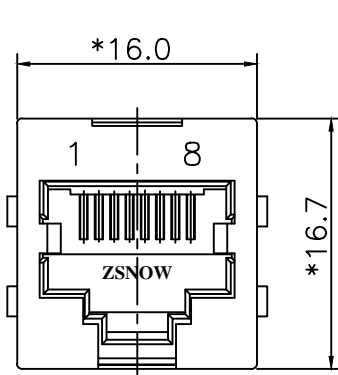


网站图纸

RoHS Compliant



NOTES:

ELECTRICAL:

1. VOLTAGE RATING : 125 VAC RMS.
2. CURRENT RATING : 1.5 AMP.
3. CONTACT RESISTANCE : 45 MILLIOHMS MAX.
4. INSULATION RESISTANCE: 1000 MEGOHMS MIN @ 500 VDC.
5. DIELECTRIC STRENGTH : 1000 VDC RMS 60Hz, 1MIN.

MECHANICAL:

1. HOUSING MATERIAL : PBT UL94V-0.
2. CONTACT MATERIAL : PHOSPHOR BRONZE $\phi 0.46\text{mm}$.
3. PLATING : GOLD PLATING OVER NICKEL.
4. OPERATING LIFE : 750 CYCLES MIN.
5. PCB RETENTION PRE-SOLDER : 1 LB MIN.
6. PCB RETENTION POST-SOLDER: 10 LBS MIN.

ENVIRONMENTAL:

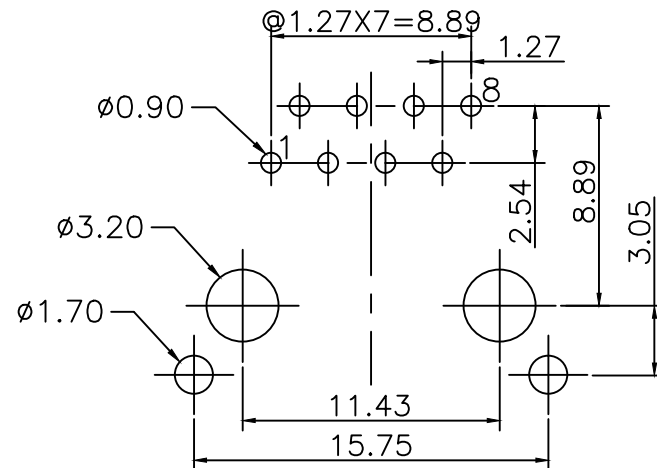
1. STORAGE : -40°C TO $+85^{\circ}\text{C}$.
2. OPERATION: -40°C TO $+85^{\circ}\text{C}$.
3. WAVE SOLDERING TEMPERATURE: $230\sim 245^{\circ}\text{C}$ (3~5 SECONDS).
4. RoHS COMPLIANT.

MATES WITH MODULAR PLUG CONFORMING TO

FCC PART 68, SUBPART F.

CUL FILE NO. E345295

PART NUMBER: ZW2288-X3X0X2X



PC Board Layout Component Side Shown

- 0-W/O LOGO
1-W/ ZSNOW LOGO
- GOLD PLATING:
1-3u" 2-6u"
3-15u" 4-30u"
5-50u" F-GOLD FLASH
- SHIELD PLATING:
1-TIN PLATING,W/ SIDE TABS
2-NICKEL PLATING,W/ SIDE TABS
S-TIN PLATING,W/O SIDE TABS
T-NICKEL PLATING,W/O SIDE TABS
- Color Of Housing:
0-PBT BLACK
Z-PBT YELLOW 114C
B-NYLON BLACK

QC : Inspection Item	Cpk and SPC Control Item	DIMENSION IN mm [Inch]		ZSNOW ELECTRONIC CO., LTD	
		TOLERANCE UNLESS OTHERWISE SPECIFIED		PART NUMBER	DRAWING NUMBER
		.X± 0.30	X."± 2.0"	SEE NOTE	ZW2288-X3X0X2X
		.XX± 0.20	.X"± 1.0"	TITLE	
.XXX± 0.10		RJ45 TOP ENTRY PCB MODULAR JACK(DIP TYPE)			
APPROVE	CHECK	PROJ.	SHEET 1 OF 1		
SKYCHEN	ASHELLY	JAKE	SCALE 3 : 1	SIZE A4	REV P1
12/28/10'	12/28/10'	12/27/10'			

THIS INFORMATION IS CONFIDENTIAL AND IS DISCLOSED TO YOU ON CONDITION THAT NO FURTHER DISCLOSURE IS MADE BY YOU TO OTHER THAN ZSNOW ELECTRONICS PERSONNEL WITHOUT WRITTEN AUTHORIZATION FROM ANGRBO ZSNOW ELECTRONICS CO.,LTD.