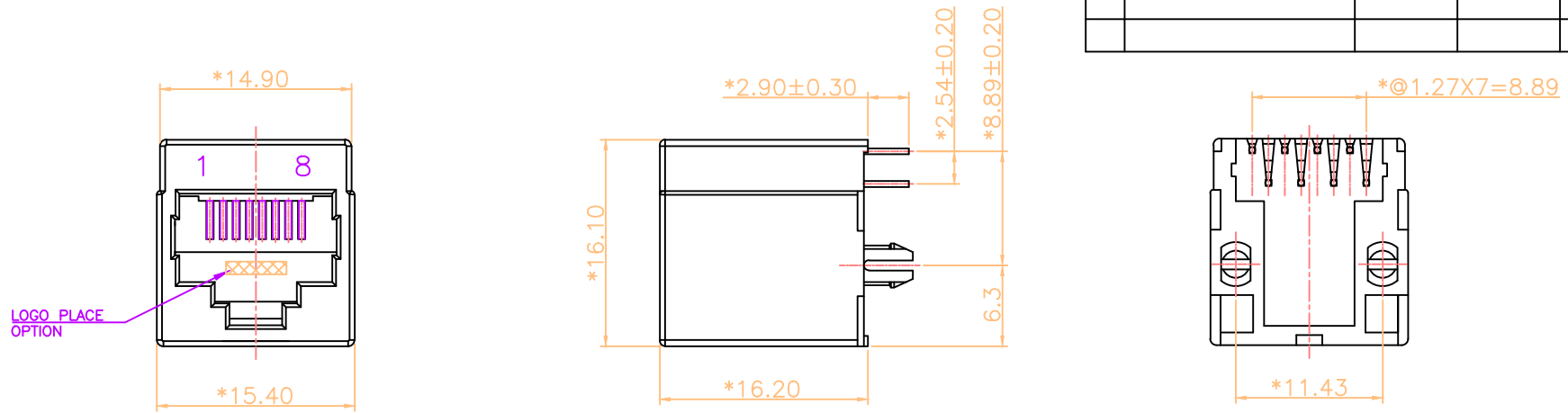


RoHS Compliant



LOGO PLACE OPTION

**NOTES:**

**ELECTRICAL:**

1. VOLTAGE RATING : 125 VAC RMS.
2. CURRENT RATING : 1.5 AMP.
3. CONTACT RESISTANCE : 45 MILLIOHMS MAX.
4. INSULATION RESISTANCE: 1000 MEGOHMS MIN @ 500 VDC.
5. DIELECTRIC STRENGTH : 1000 VDC RMS 60Hz, 1MIN.

**MECHANICAL:**

1. HOUSING MATERIAL : PBT UL94V-0.
2. CONTACT MATERIAL : PHOSPHOR BRONZE  $\phi 0.46\text{mm}$ .
3. PLATING : GOLD PLATING OVER NICKEL.
4. OPERATING LIFE : 750 CYCLES MIN.
5. PCB RETENTION PRE-SOLDER : 1 LB MIN.
6. PCB RETENTION POST-SOLDER: 10 LBS MIN.

**ENVIRONMENTAL:**

1. STORAGE : -40°C TO +85°C.
2. OPERATION: -40°C TO +85°C.
3. WAVE SOLDERING TEMPERATURE: 230~240°C(3~5 SECONDS).
4. RoHS COMPLIANT.

MATES WITH MODULAR PLUG CONFORMING TO

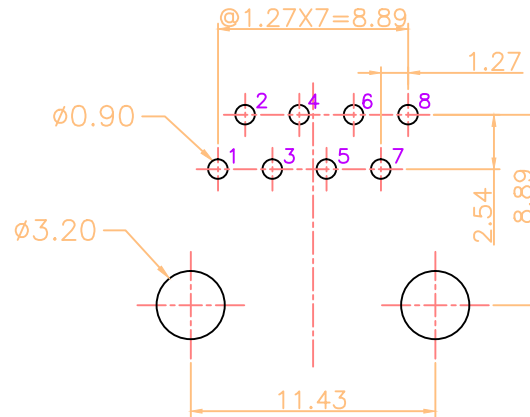
FCC PART 68, SUBPART F.

CUL FILE NO. E345295

TOP-LEVEL-ASSEMBLY APPEARANCE QUALITY AND OTHERS ACCORDING TO QAIP-008 IF NOTHING ELSE IS SPECIFIED.

PART NUMBER: ZW2288-21XXS1X

- GOLD PLATING:
  - 1-3u" 2-6u"
  - 3-15u" 4-30u"
  - 5-50u" F-GOLD FLASH(0.3u" MIN)
- 48-W/O LOGO, PBT RED 485U



: inspection item	DIMENSION IN mm [Inch]		ZSNOW ELECTRONIC CO., LTD	
	TOLERANCE UNLESS OTHERWISE SPECIFIED		PART NUMBER	DRAWING NUMBER
			SEE NOTE	ZW228X-21XXS1X-31
	.X± 0.30	X.*± 2.0*	TITLE	
	.XX± 0.20	.X.*± 1.0*	RJ45 TOP ENTRY PCB MODULAR JACK(DIP TYPE)	
.XXX± 0.10		APPROVE	CHECK	DRAW
TIM	HAPPY	ZERO		
12/11/19'	12/11/19'	12/11/19'		
SCALE 3 : 1		PROJ.	SHEET 1 OF 1	SIZE A3
			REV P1	

THIS INFORMATION IS CONFIDENTIAL AND IS DISCLOSED TO YOU ON CONDITION THAT NO FURTHER DISCLOSURE IS MADE BY YOU TO OTHER THAN ZSNOW ELECTRONICS PERSONNEL WITHOUT WRITTEN AUTHORIZATION FROM HANGZHOU ZSNOW ELECTRONICS CO.,LTD.