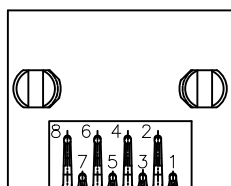
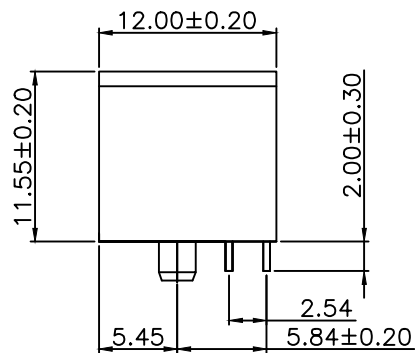
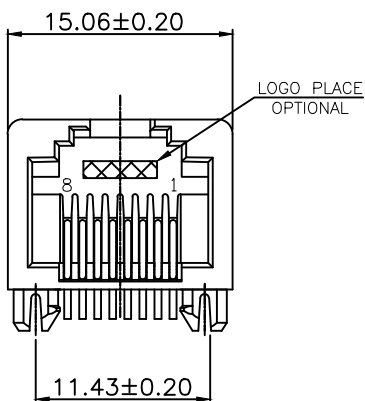
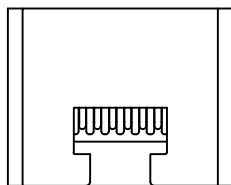
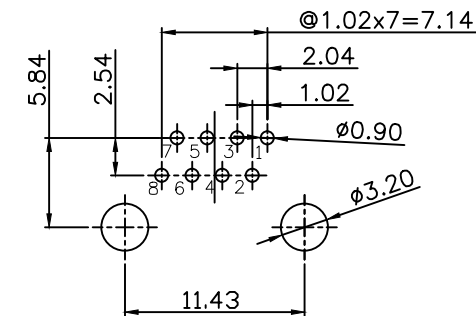


RoHS Compliant



4C(1,2,3,6C)
@1.02x7=7.14(8C)



RECOMMENDED PCB LAYOUT
T=1.20MM

NOTES:

ELECTRICAL:

1. VOLTAGE RATING : 125 VAC RMS.
2. CURRENT RATING : 1.5 AMP.
3. CONTACT RESISTANCE : 30 MILLIOHMS MAX.
4. INSULATION RESISTANCE: 1000 MEGOHMS MIN @ 500 VDC.
5. DIELECTRIC STRENGTH : 1000 VDC RMS 60Hz, 1MIN.

MECHANICAL:

1. HOUSING MATERIAL : PBT UL94V-0.
2. CONTACT MATERIAL : PHOSPHOR BRONZE $\phi 0.46\text{mm}$.
3. PLATING : GOLD PLATING OVER NICKEL.
4. OPERATING LIFE : 750 CYCLES MIN.
5. PCB RETENTION PRE-SOLDER : 1 LB MIN.
6. PCB RETENTION POST-SOLDER: 10 LBS MIN.

ENVIRONMENTAL:

1. STORAGE : -40°C TO $+85^{\circ}\text{C}$.
2. OPERATION: -40°C TO $+85^{\circ}\text{C}$.
3. WAVE SOLDERING TEMPERATURE: $230\sim 240^{\circ}\text{C}$ (3~5 SECONDS).
4. RoHS COMPLIANT.

MATES WITH MODULAR PLUG CONFORMING TO
FCC PART 68, SUBPART F.
CUL FILE NO. E345295

PART NUMBER: ZW268X-51XXS1X

8-8C
4-4C(1,2,3,6C)

1-3u" 2-6u"
3-15u" 4-30u"
5-50u" F-GOLD FLASH

76-W/ ZSNOW LOGO, DARK GRAY
77-W/ ZSNOW LOGO, YELLOW 114C

Inspection Item (QC)	DIMENSION IN mm [Inch]				ZSNOW ELECTRONIC CO., LTD	
	TOLERANCE UNLESS OTHERWISE SPECIFIED		PART NUMBER		DRAWING NUMBER	
	SEE NOTE		SEE NOTE		ZW268X-51XXS1X-29	
	TITLE		TITLE		Mini RJ45 1X1	
	APPROVE		CHECK		DRAW	
Tim, Lee 2019.07.22		Happy, Huang 2019.07.22		Zero, Jin 2019.07.22		
SCALE 3:5		SHEET 1 OF 1		SIZE A3 REV P1		

THIS INFORMATION IS CONFIDENTIAL AND IS DISCLOSED TO YOU ON CONDITION THAT NO FURTHER DISCLOSURE IS MADE BY YOU TO OTHER THAN ZSNOW ELECTRONICS PERSONNEL WITHOUT WRITTEN AUTHORIZATION FROM NINGBO ZSNOW ELECTRONICS CO., LTD.