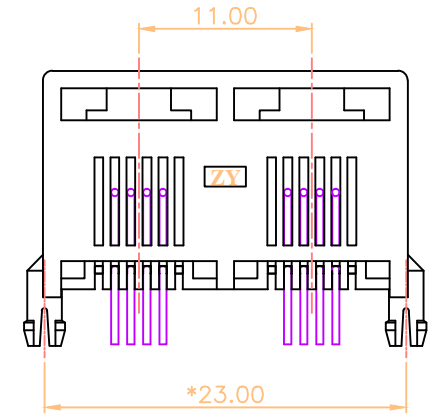
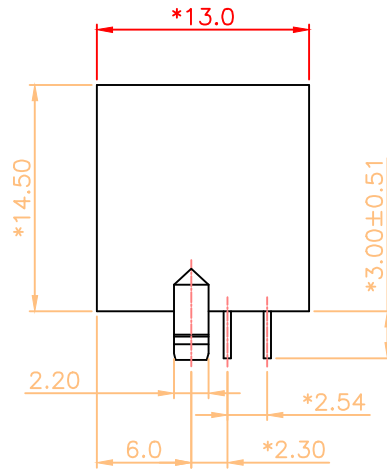
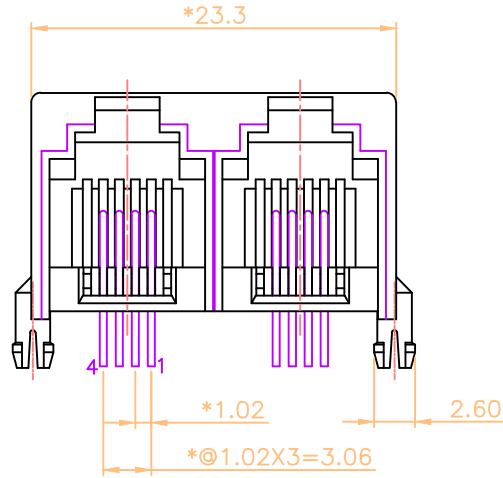


RoHS Compliant



NOTES:

ELECTRICAL:

- 1. VOLTAGE RATING : 125 VAC RMS.
- 2. CURRENT RATING : 1.5 AMP.
- 3. CONTACT RESISTANCE : 35 MILLIOHMS MAX.
- 4. INSULATION RESISTANCE: 1000MEGOHMS MIN @ 500 VDC.
- 5. DIELECTRIC STRENGTH : 1000 VAC RMS 60Hz, 1MIN.

MECHANICAL:

- 1. HOUSING MATERIAL : PBT+30%GF UL94V-0.
- 2. CONTACT MATERIAL : PHOSPHOR BRONZE Ø0.46mm.
- 3. PLATING : GOLD PLATING OVER NICKEL.
- 4. OPERATING LIFE : 750 CYCLES MIN.
- 5. MATING/UNMATING FORCE : 22N MAX.
- 6. RETENSION STRENGTH : 50N MIN.

ENVIRONMENTAL:

- 1. STORAGE : -40°C TO +85°C.
- 2. OPERATION: -40°C TO +85°C.
- 3. WAVE SOLDERING TEMPERATURE: 230~240°C(3~5 SECONDS).
- 4. RoHS COMPLIANT.

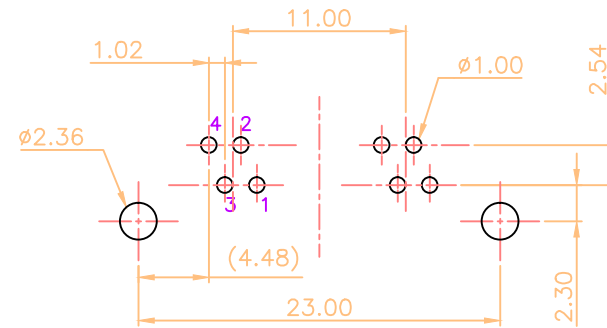
MATES WITH MODULAR PLUG CONFORMING TO FCC PART 68, SUBPART F.

CUL FILE NO. E345295

PART NUMBER: ZW266X-51XXS2X

NO.OF CONTACT 4-4C
 1-3u" 2-6u" 3-15u"
 4-30u" 5-50u" F-GOLD FLASH

03-W/O LOGO,W/O PANEL STOP SPLIT POST
 PBT COOL GRAY 3U



PC Board Layout Component Side Shown

Inspection Item	DIMENSION IN mm [Inch]		ZSNOW		ZSNOW ELECTRONIC CO., LTD	
	TOLERANCE UNLESS OTHERWISE SPECIFIED		PART NUMBER		DRAWING NUMBER	
	.X± 0.30 X.*± 2.0°		SEE NOTE		ZW266X-51XXS2X-2	
	.XX± 0.20 .X.*± 1.0°		TITLE		MINI L/P PCB JACK 6P	
.XXX± 0.10		APPROVE	CHECK	DRAW	PROJ.	SHEET 1 OF 1
		TIM 03/20/16'	ZERO 03/20/16'	HAPPY 03/20/16'	SCALE 3 : 1	REV P1
				SIZE A4		

THIS INFORMATION IS CONFIDENTIAL AND IS DISCLOSED TO YOU ON CONDITION THAT NO FURTHER DISCLOSURE IS MADE BY YOU TO OTHER THAN ZSNOW ELECTRONICS PERSONNEL WITHOUT WRITTEN AUTHORIZATION FROM ANGR ZSNOW ELECTRONICS CO.,LTD.